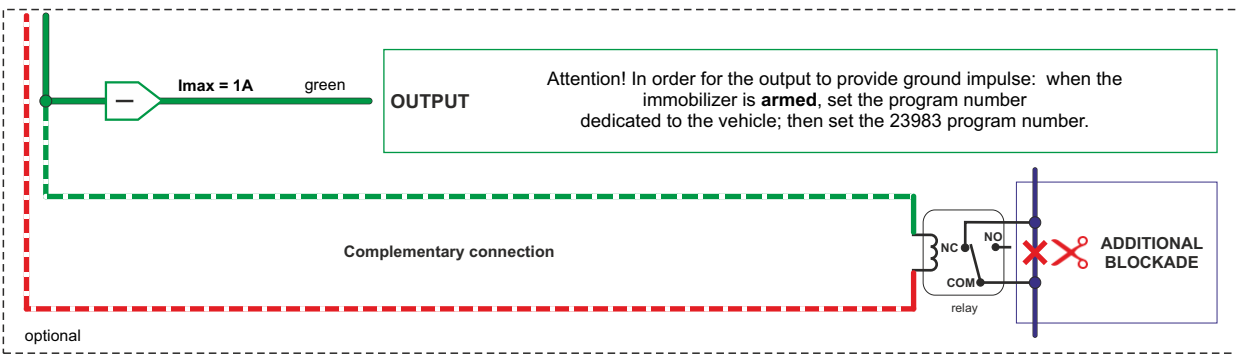
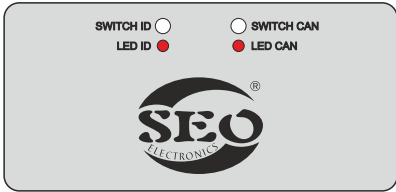


OR



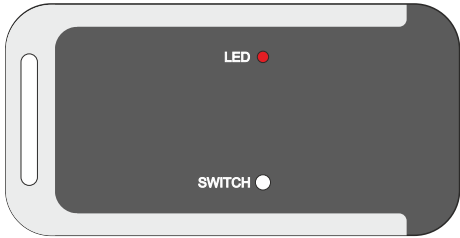
PIN4 (UART Tx)
are used to update the software

53mm x 21mm x 7mm

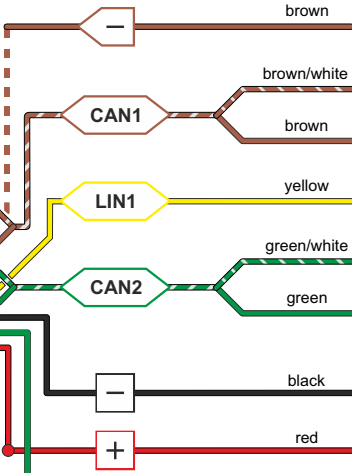


PCB U335

60mm x 30mm x 6mm



ID Transmitter (01xxxxxx)
PCB U370



- INPUT** After giving low state (e.g. from GPS/GSM) blocks the engine with priority
- CAN1-H** Connect to 2-wire CAN bus CAN-H (see certain car's connection diagram)
- CAN1-L** Connect to 2-wire CAN bus CAN-L (see certain car's connection diagram)
- LIN1** Connect to 1-wire CAN bus (see certain car's connection diagram)
- CAN2-H** Connect to 2-wire CAN bus CAN-H (see certain car's connection diagram)
- CAN2-L** Connect to 2-wire CAN bus CAN-L (see certain car's connection diagram)
- GROUND** Module power supply
- +12V** Module power supply

— **Imax = 1A** green

OUTPUT Active output - supplies GND, when immobilizer is not **disarmed** within 2 seconds after switching the ignition ON; Imax=1A (Output inactive when immobilizer disarmed)

OR

— **Imax = 1A** green

OUTPUT Attention! In order for the output to provide ground impulse: when the immobilizer is **armed**, set the program number dedicated to the vehicle; then set the 23983 program number.

Brand and type: **SEO CANblu**

Version: **797711xx**

year: **21** →

rev00