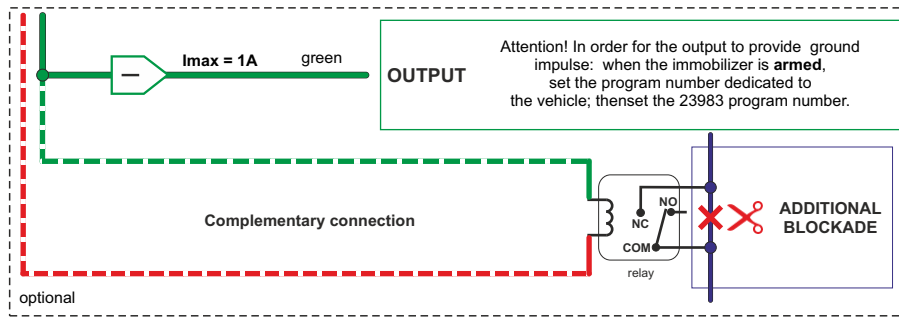
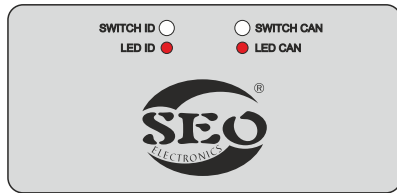


OR



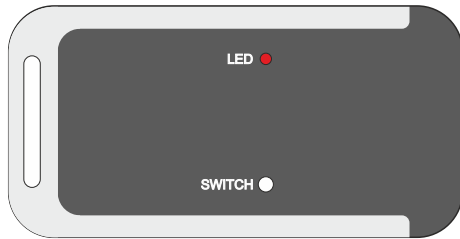
PIN2 (UART Rx) and PIN4 (UART Tx) are used to update the software

53mm x 21mm x 7mm

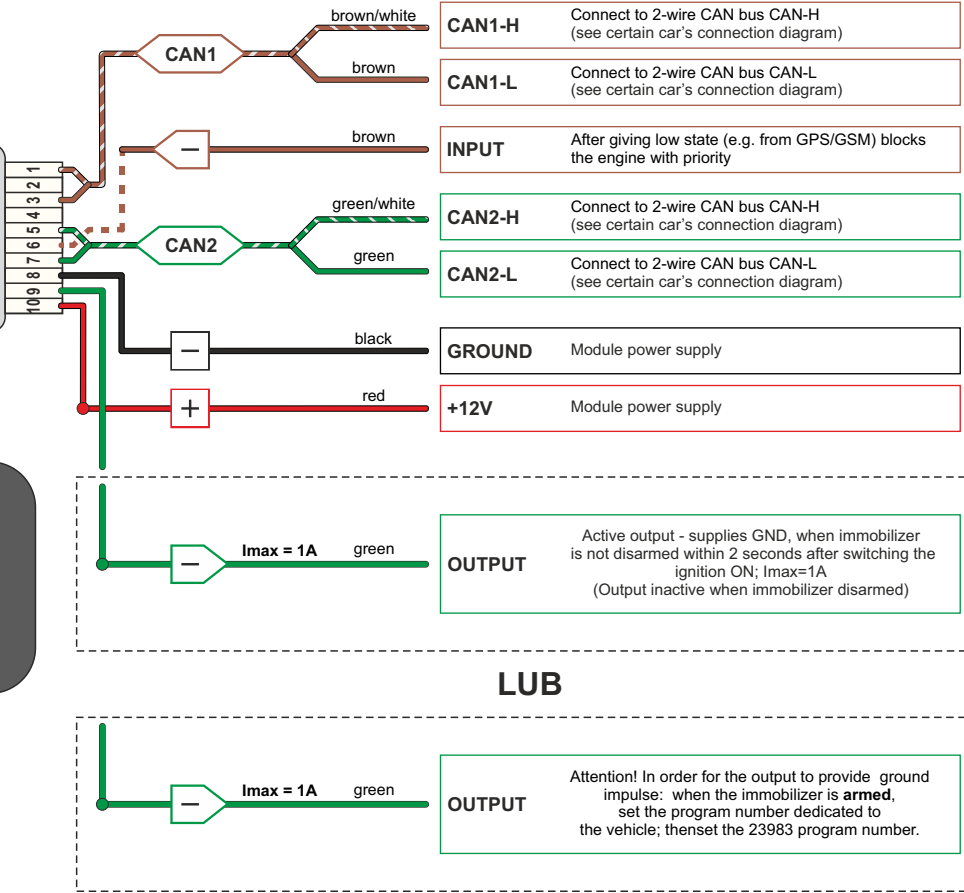


PCB U322

60mm x 30mm x 6mm



ID Transmitter (01xxxxxx)
PCB U370



Brand and type: **SEO CANblu**

Version: **276111xx**

year: **18** →

rev01